



RUDDER CONTROL

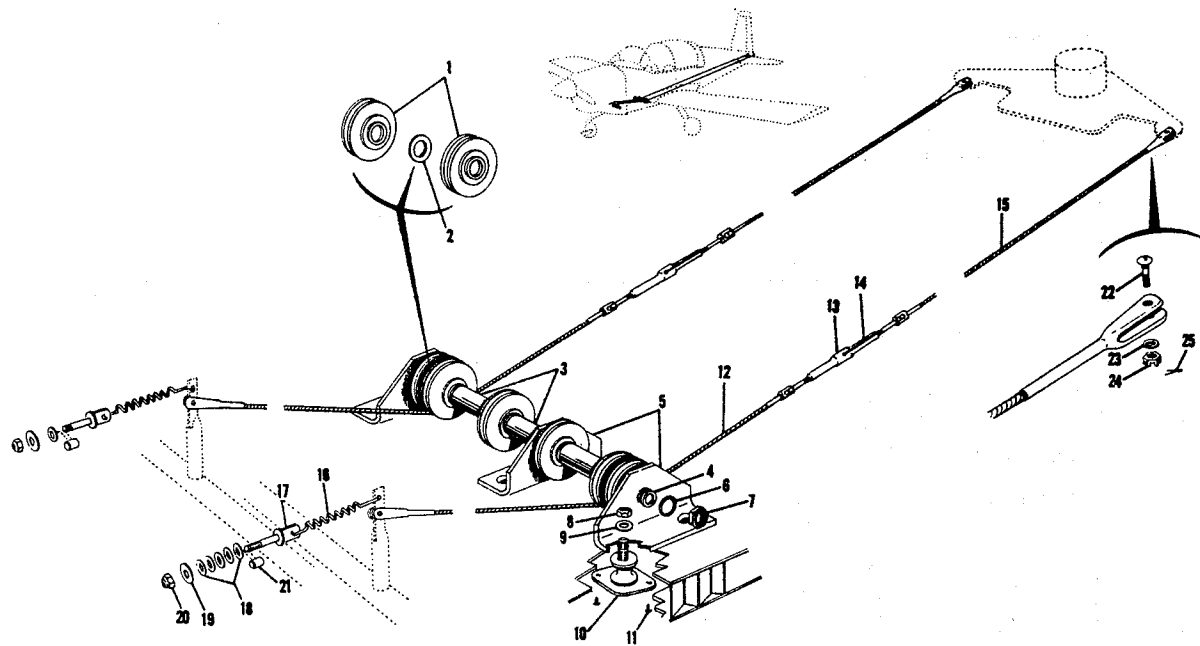


FIGURE 18. RUDDER CONTROL INSTALLATION



FIGURE AND INDEX NO.	PART NUMBER	DESCRIPTION	UNITS PER ASSY	USABLE ON CODE
			1 2 3 4 5 6 7	
18-		RUDDER CONTROL INSTL		
		Control Pulley Group Assy		
-1	MS 20220-1	Pulley -----	6	
-2	AN 960-516L	Washer -----	2	
-3	601044-1	Spacer -----	3	
-4	601050-1	Pin -----	1	
-5	601049-2	Bracket -----	3	
-6	AN 960-516	Washer -----	2	
-7	AN 364-524	Nut -----	2	
-8	AN 365-1032	Nut -----	6	
-9	AN 960-10	Washer -----	6	
-10	AES200-1	Fastener-----	6	
-11	1601-0410	Rivet -----	12	
-12	602107-506	Rudder Cable Assy -----	2	
-14	MS21256-2	Locking Clip -----	4	
-13	MS21251B5L	Turnbuckle Body -----	2	
-15	602107-506	Rudder Cable Assy -----	2	
-16	601053-1	Spring -----	2	
-17	AN43B- 12A	Eye Bolt -----	2	
-18	960-416	Washer -----	6	
-19	901035-1	Washer -----	2	
-20	AN 365-428	Nut -----	2	
-21	902015-1	Bushing -----	2	
-22	AN23-11	Bolt -----	2	
-23	AN960-10	Washer -----	2	
-24	AN 320-3	Nut -----	2	
-25	AN 380-2-2	Cotter Pin -----	2	