



CONTROL COLUMN

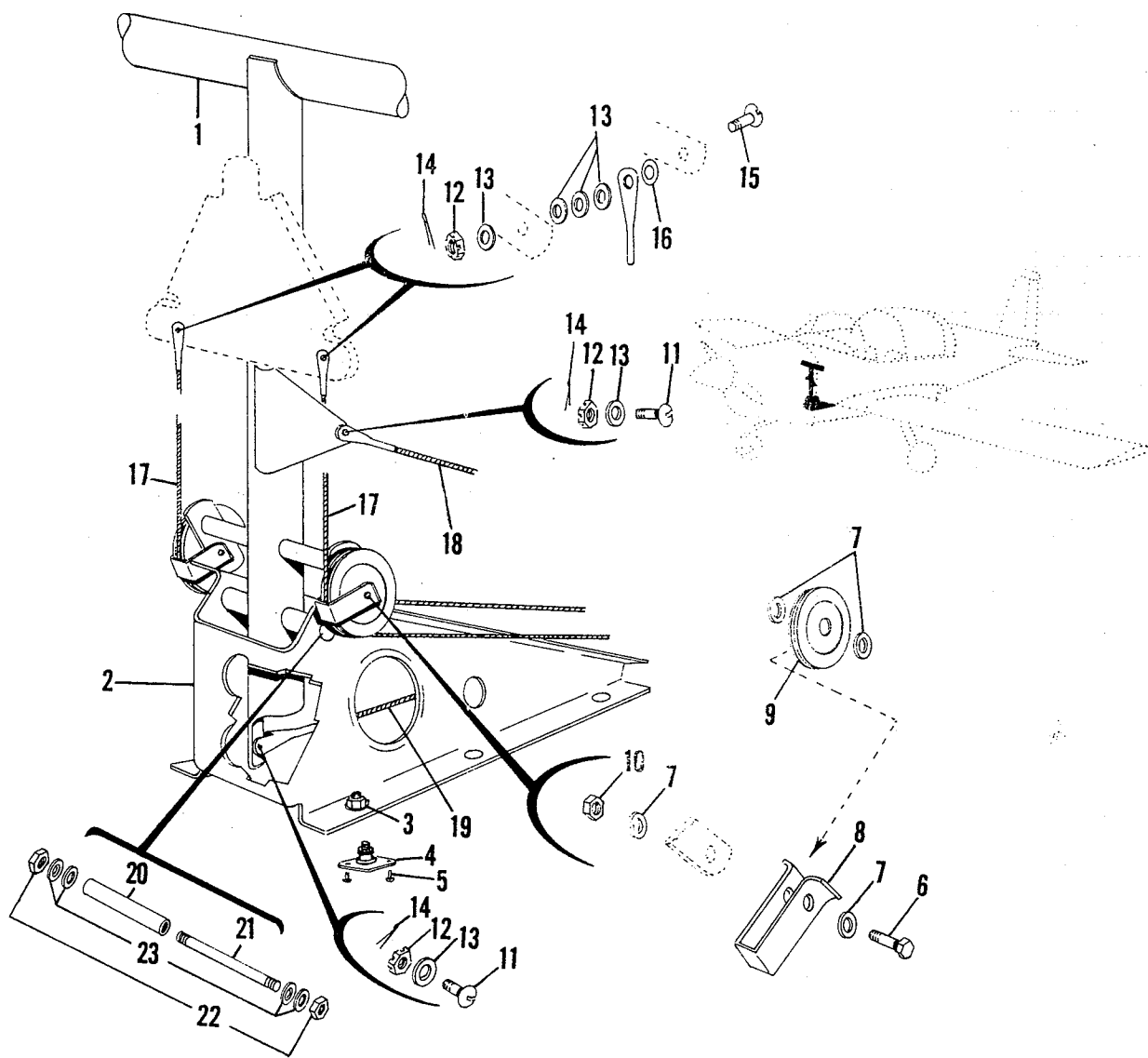


FIGURE 16. CONTROL COLUMN INSTALLATION



FIGURE AND INDEX NO.	PART NUMBER	DESCRIPTION	1 2 3 4 5 6 7							UNITS PER ASSY	USABLE ON CODE
16-		CONTROL COLUMN INSTL.									
-1	602104-501	Column Assy (Std) - - - - -									1
	602104-502	Column Assy (Opt) - - - - -									1
-2	602103-501	Support Assy - - - - -									1
-3	MS20365-428	Nut - - - - -									6
-4	AES200-1	Honeycomb Fastener - - - - -									6
-5	1601-0410	Rivet - - - - -									12
-6	AN5-12A	Bolt - - - - -									2
-7	AN960-516L	Washer - - - - -									8
-8	602070-1	Guard - - - - -									2
-9	MS20220-2	Pulley - - - - -									2
-10	MS20364-524	Nut - - - - -									2
-11	AN23-11	Bolt - - - - -									2
-12	AN320-3	Nut - - - - -									4
-13	AN960-10	Washer - - - - -									10
-14	MS24665-132	Cotter Pin - - - - -									4
-15	AN23-13	Bolt - - - - -									2
-16	AN960-10L	Washer - - - - -									2
-17	602107-507	Cable Assy - - - - -									2
-18	602107-503	Cable Assy - - - - -									1
-19	602107-501	Cable Assy - - - - -									1
-20	602106	Sleeve - - - - -									1
-21	602114	Pin - - - - -									1
-22	MS20364-524	Nut - - - - -									2
-23	AN960-516L	Washer - - - - -									4